

CM1812C282R-10

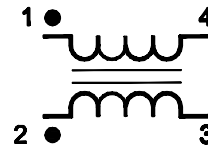
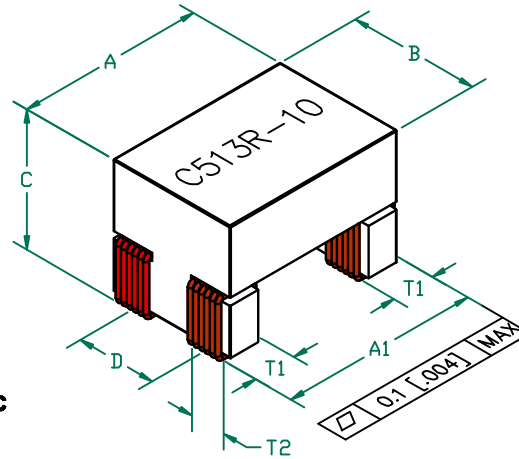
PHYSICAL DIMENSIONS:

A	5.00	[.197]	+	-	MAX.
A ₁	5.20	[.205]	+	-	MAX.
B	3.50	[.138]	+	-	MAX.
C	3.55	[.140]	+	-	MAX.
D	1.70	[.067]	+	-	TYP.
T1	1.00	[.039]	+	-	TYP.
T2	1.00	[.039]	+	-	TYP.

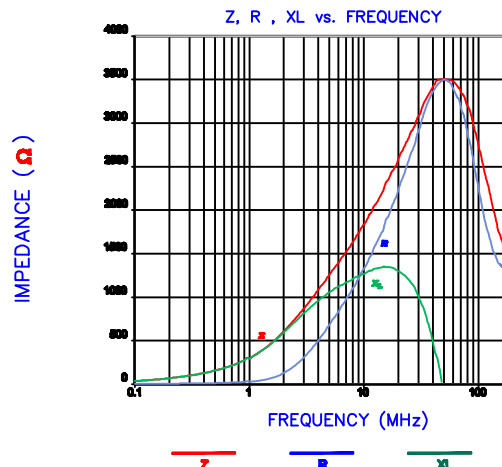
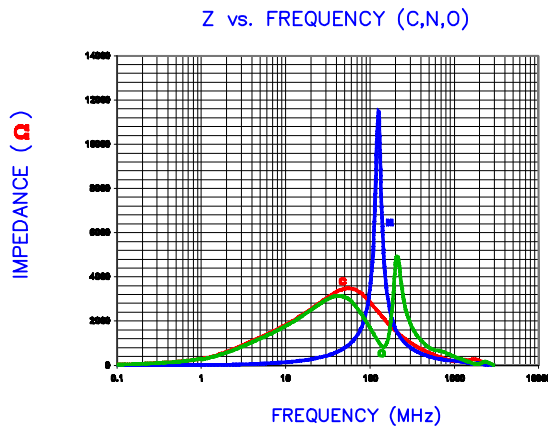


ELECTRICAL SPECIFICATION @ 25°C
OPERATING TEMPERATURE RANGE: -40°C TO +125°C

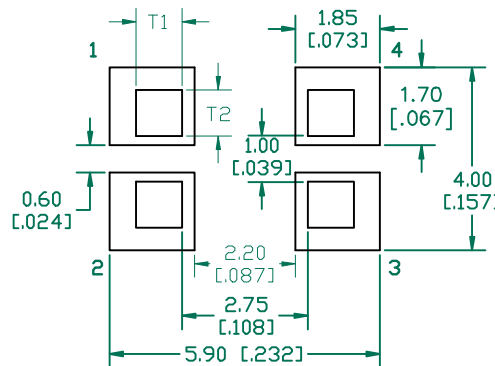
PARAMETER SYMBOL	REQUIREMENTS		
	MIN	TYP	MAX
Z SPEC @ 100 MHz	2,115	2,820	3,525
DCR(Ω)			0.50
I (mA)			200



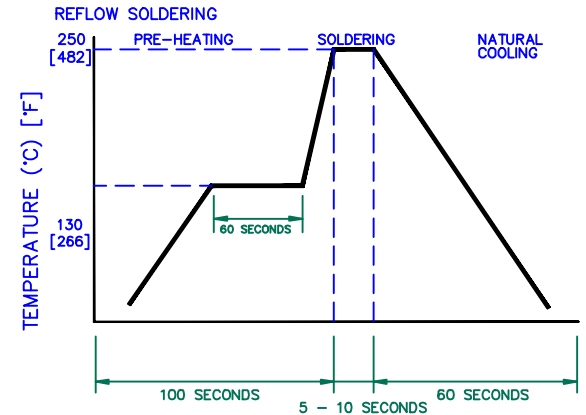
- NOTES: UNLESS OTHERWISE SPECIFIED
1. TAPED AND REELED ON 13" REELS, 2000 PCS/REEL.
 2. OPEN BOTTOM CONSTRUCTION.
 3. COMPONENTS SHOULD BE ADEQUATELY PREHEATED BEFORE SOLDERING.
 4. PRE-TINNED DIMENSIONS AND TOLERANCES.



LAND PATTERNS FOR REFLOW SOLDERING



RECOMMENDED SOLDERING CONDITIONS



UNCONTROLLED DOCUMENT

DIMENSIONS ARE IN mm [INCHES].				This print is the property of Laird Tech. and is loaned in confidence subject to return upon request and with the understanding that no copies shall be made without the written consent of Laird Tech. All rights to design or invention are reserved.			
C	UPDATE COMPANY LOGO	04/28/09	JRK	PROJECT/PART NUMBER:	CM1812C282R-10	REV	C
B	UPDATE COMPANY LOGO	05/15/07	JRK	DATE:	05/16/06	SCALE:	NTS
A	ORIGINAL DRAFT	05/16/06	JRK	GAD #		SHEET:	
REV	DESCRIPTION	DATE	INT	TOOL #	-	2 of 2	

