

PHYSICAL DIMENSIONS:

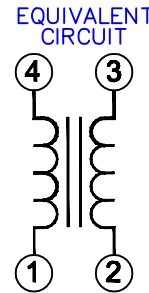
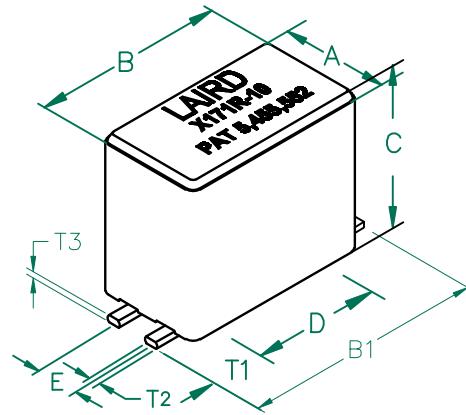
A	6.30 [.248]	+ 0.10 [.004]
B	11.38 [.448]	+ 0.18 [.007]
B1	14.10 [.555]	MAX
C	9.32 [.367]	+ 0.18 [.007]
C1	10.16 [.400]	MAX
D	7.62 [.300]	+ 0.10 [.004]
E	2.54 [.100]	+ 0.13 [.005]

WIRE DIMENSIONS:

T1	2.90 [.114]	+ 0.25 [.010]
T2	0.84 [.033]	TYP.
T3	0.46 [.018]	TYP.

CM2545X171R-10

UNCONTROLLED DOCUMENT

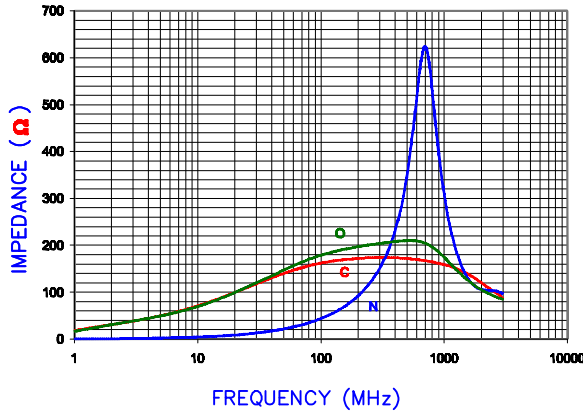


ELECTRICAL CHARACTERISTICS:

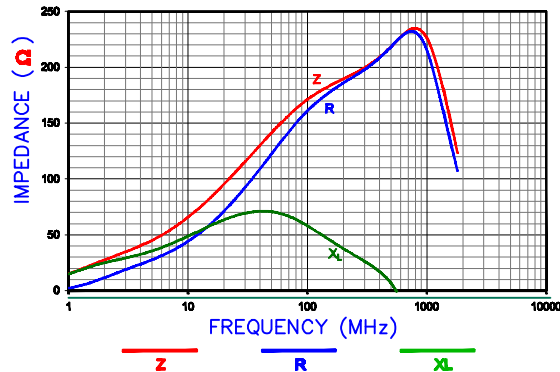
Z @ 100MHz (Ω)	DCR (Ω)	Rated Current
Nominal	170	
Minimum	128	
Maximum	-	0.01
		10,000 mA

- NOTES: UNLESS OTHERWISE SPECIFIED
1. TAPED AND REELED per CURRENT EIA SPECIFICATIONS 13" REELS, 400 PCS/REEL.
 2. COMPONENTS SHOULD BE ADEQUATELY PREHEATED BEFORE SOLDERING.
 3. REF. CARRIER TAPE SPEC. # CART249-63.
 4. TERMINATION FINISH IS 100% TIN.
 5. THIS PART HAS NO PIN POLARITY.

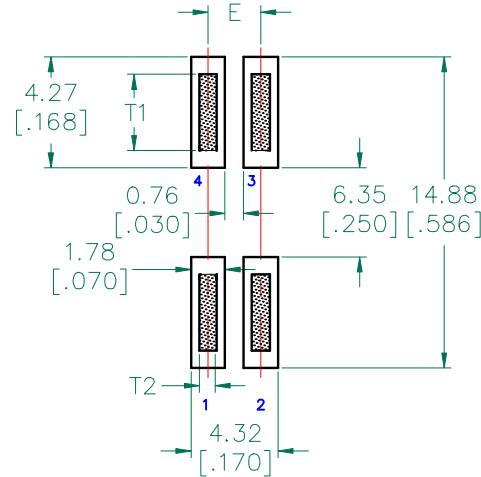
Z vs. FREQUENCY (C,O,N)



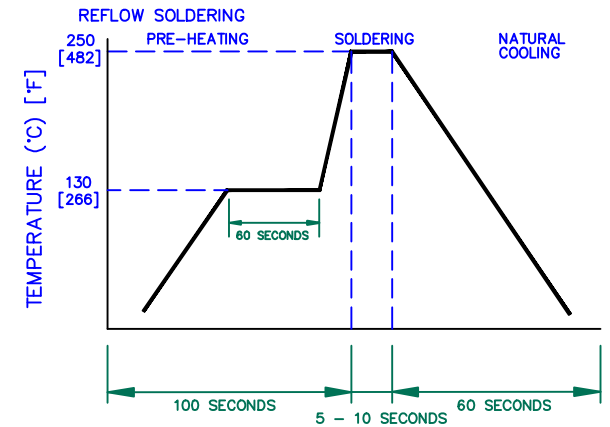
FREQUENCY (MHz)
Z, R, XL vs. FREQUENCY



LAND PATTERN FOR REFLOW SOLDERING



RECOMMENDED SOLDERING CONDITIONS



AGILENT E4991A RF Impedance/Material Analyzer
HP 16194A Test Fixture. TEST REF. 3007

DIMENSIONS ARE IN mm [INCHES]

This print is the property of Laird Tech. and is loaned in confidence subject to return upon request and with the understanding that no copies shall be made without the written consent of Laird Tech. All rights to design or invention are reserved.



C	UPDATE COMPANY LOGO UPDATE ROHS SYMBOL AND KAPTON LABEL ADD EC	11/05/08	JRK	PROJECT/PART NUMBER: CM2545X171R-10	REV C	DRAWN BY: JRK
B	UPDATE COMPANY LOGO	05/18/07	JRK	DATE: 5/26/04	SCALE: NTS	SHEET: 2 of 3
A	ORIGINAL DRAFT	5/26/04	JRK	CAD # CM2545X171R-10-C-2	TOOL # H0249-600	
REV	DESCRIPTION	DATE				