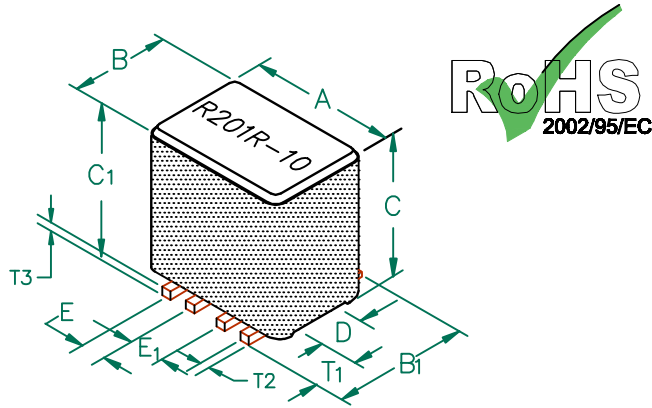


# CM2722R201R-10



## PHYSICAL DIMENSIONS:

A	6.99 [.275]	± 0.10 [.004]
B	5.72 [.225]	± 0.10 [.004]
B <sub>1</sub>	6.73 [.265]	MAX
C	9.53 [.375]	± 0.15 [.006]
C <sub>1</sub>	10.31 [.406]	MAX.
D	2.41 [.095]	± 0.08 [.003]
E	0.89 [.035]	± 0.13 [.005]
E <sub>1</sub>	1.91 [.075]	± 0.13 [.005]
<b>WIRE:</b>		
T <sub>1</sub>	1.91 [.075]	± 0.25 [.010]
T <sub>2</sub>	0.38 [.015]	± TYP.
T <sub>3</sub>	0.38 [.015]	± TYP.

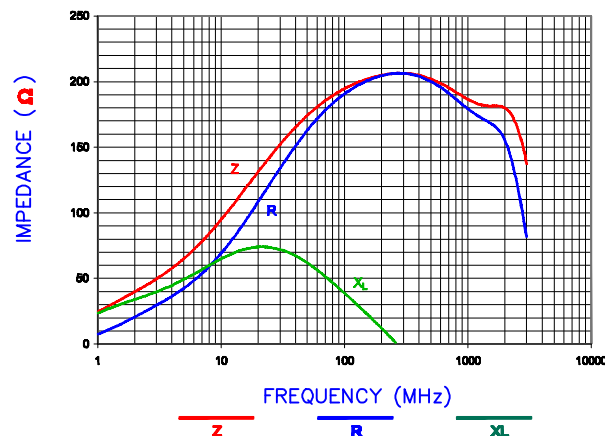
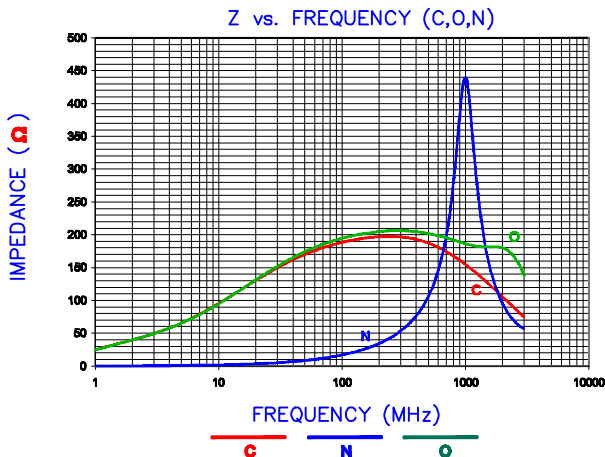


## ELECTRICAL CHARACTERISTICS:

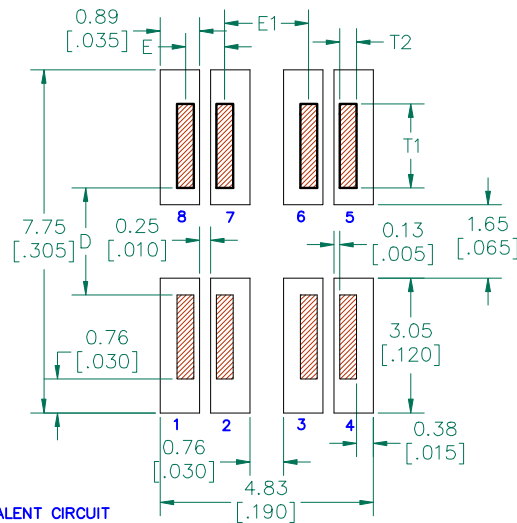
Z @ 100MHz (Ω)	DCR (Ω)	Rated Current
Nominal	200	
Minimum	160	
Maximum	-	0.02
		5,000 mA

NOTES: UNLESS OTHERWISE SPECIFIED

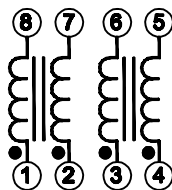
1. TAPED AND REELED per CURRENT EIA SPECIFICATIONS, 13" REELS 500 PCS per REEL.
2. COMPONENTS SHOULD BE ADEQUATELY PREHEATED BEFORE SOLDERING.
3. REF. CARRIER TAPE SPECIFICATION# CART2722-2P.
4. TERMINATION FINISH IS 100% TIN.
5. THIS PART HAS NO PIN POLARITY.



## LAND PATTERNS FOR REFLOW SOLDERING

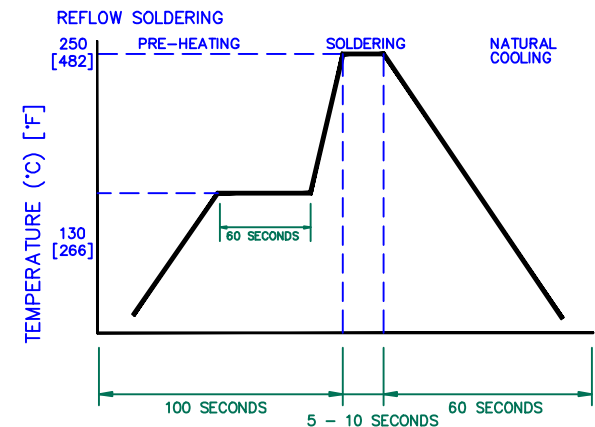


EQUIVALENT CIRCUIT  
NO POLARITY



**UNCONTROLLED DOCUMENT**

## RECOMMENDED SOLDERING CONDITIONS



DIMENSIONS ARE IN mm (INCHES).

This print is the property of Laird Tech. and is loaned in confidence subject to return upon request and with the understanding that no copies shall be made without the written consent of Laird Tech. All rights to design or invention are reserved.



C	UPDATE COMPANY LOGO ADD EQUIVALENT CIRCUIT	01/30/09	JRK	PROJECT/PART NUMBER: CM2722R201R-10	REV C	PART TYPE: ASSEMBLY	DRAWN BY: JRK
B	UPDATE COMPANY LOGO & ROHS SYMB.	11/14/07	JRK	DATE: 06/01/04	SCALE: NTS	SHEET: 2 of 3	
A	ORIGINAL DRAFT	6/01/04	JRK	CAD #	TOOL # H0275-2		
REV	DESCRIPTION	DATE	INT	CM2722R201R-10-C-2			