

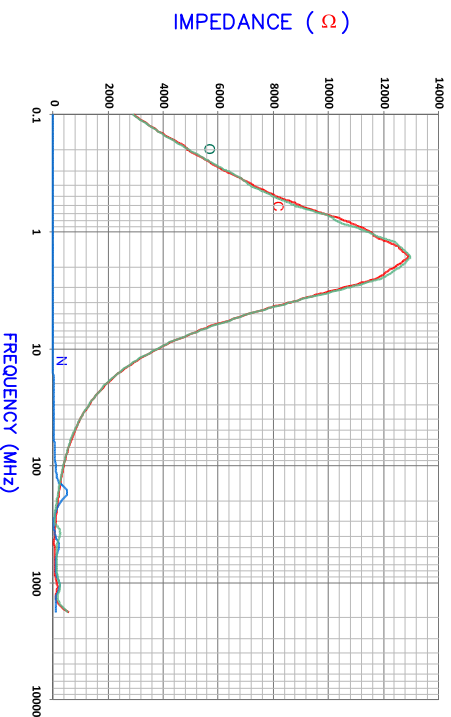
CM2824B103R-10

PHYSICAL DIMENSIONS:

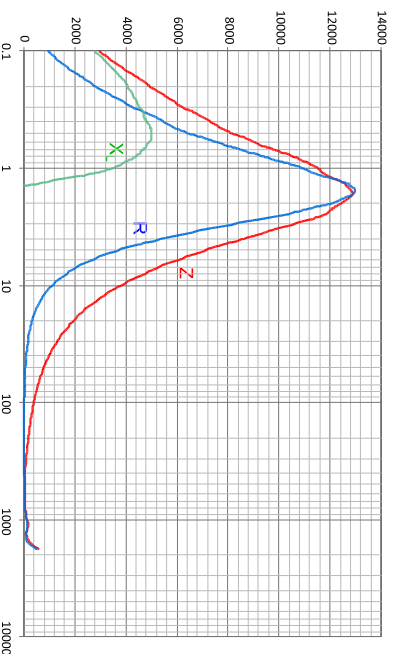
A	7.50	[.295]	MAX.
A1	9.00	[.354]	± 0.40 [.016]
B	5.50	[.217]	MAX.
C	3.80	[.150]	MAX.
C1	4.90	[.193]	MAX
D	2.54	[.100]	± 0.10 [.004]
T1	1.75	[.069]	TYP.
T2	0.50	[.020]	± 0.10 [.004]
T3	0.30	[.012]	± 0.10 [.004]
WEIGHT/1000	0.28	kgs	[.62 Lbs]

UNCONTROLLED DOCUMENT

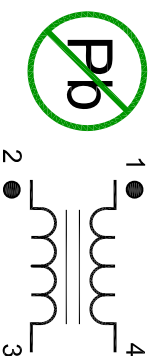
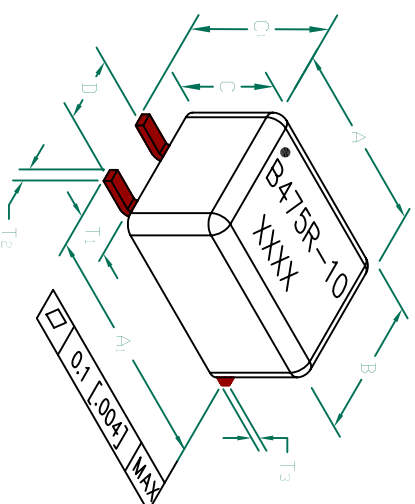
Z vs. FREQUENCY (G.N.O)



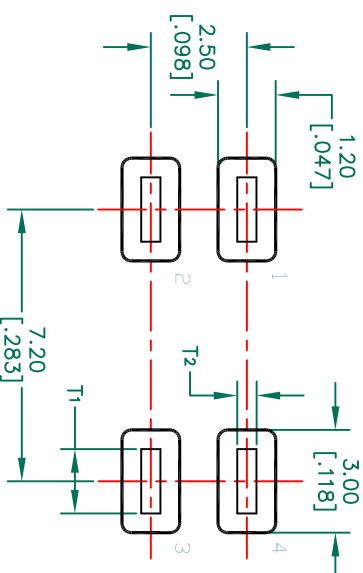
IMPEDANCE (Ω)



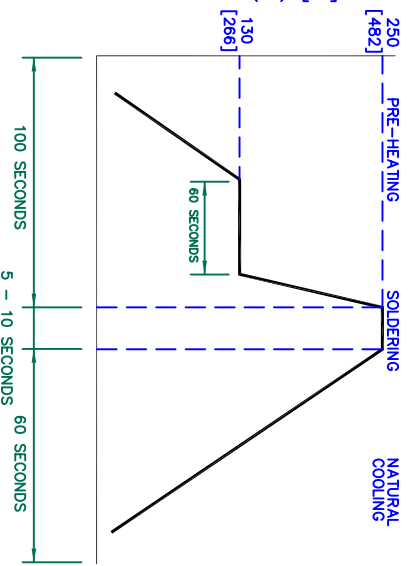
FREQUENCY (MHZ)



LAND PATTERNS FOR REFLOW SOLDERING



TEMPERATURE (°C) [°F]



RECOMMENDED SOLDERING CONDITIONS

- NOTES: UNLESS OTHERWISE SPECIFIED
1. TAPED AND REELED ON 13" REELS, 1500 PCS/REEL.
 2. OPEN BOTTOM CONSTRUCTION.
 3. COMPONENTS SHOULD BE ADEQUATELY PREHEATED BEFORE SOLDERING.

ELECTRICAL SPECIFICATION @ 25°C
OPERATING TEMPERATURE RANGE: 0°C TO +100°C

PARAMETER	MIN	TYP	MAX
Z SPEC	7,500	10,000	
@ 1 MHz			
DCR (Ω)			1.30
I (mA)			200

DIMENSIONS ARE IN mm [INCHES].

REV	DESCRIPTION	DATE	INT
A	ORIGINAL DRAFT	05/16/06	JRK
B	CHANGE CURRENT RATING FROM 400 mA	02/19/07	JRK
C	UPDATE COMPANY LOGO	05/01/09	JRK
D	CHANGE CURVE	11/03/09	JUN
E	CHANGE OPERATING TEMPERATURE AND REMOVE IMPEDANCE UPPER SPEC	01/29/10	JUN

This print is the property of Laird Technologies and is loaned in confidence subject to return upon request and which shall be returned to the originator without consent of Laird Tech. All rights to design or invention are reserved.

PROJECT/PART NUMBER:	REV	PART TYPE:	DRAWN BY:
CM2824B103R-10	E	COMMON CHOICE	JRK
DATE:	SCALE:	SHEET:	
05/16/06	NTS	2 of 2	

