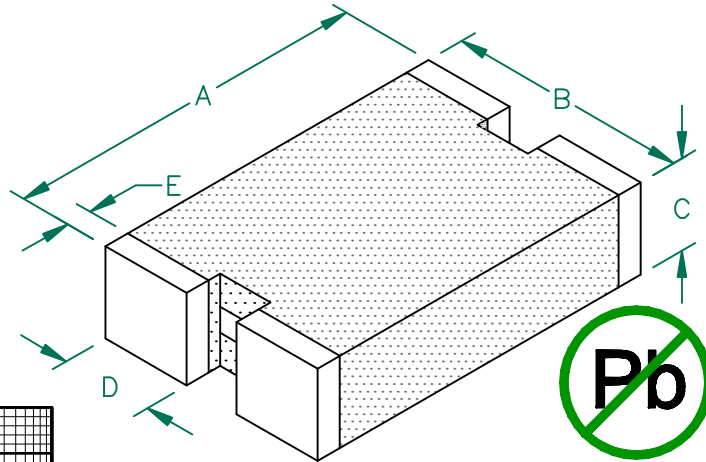


CM3322U610R-10

UNCONTROLLED DOCUMENT

PHYSICAL DIMENSIONS:

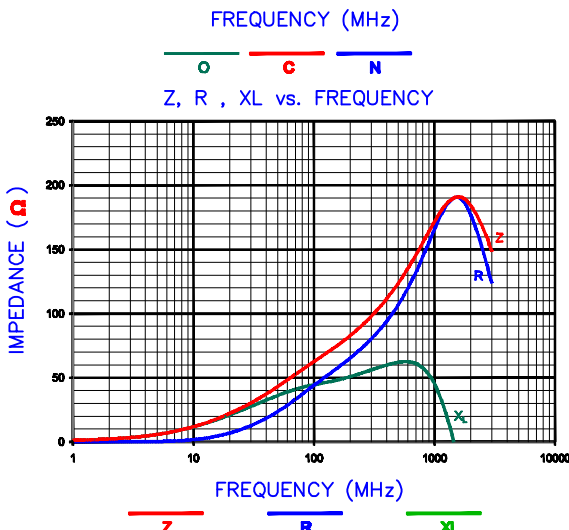
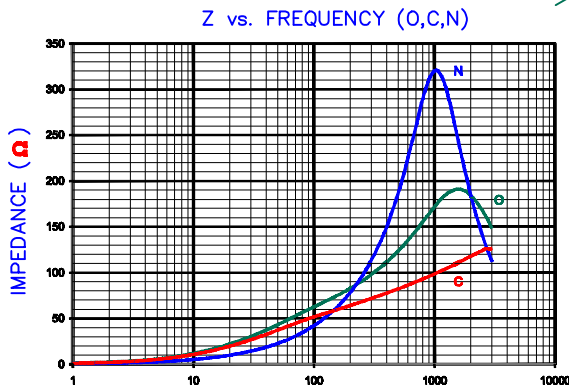
A	8.50 [.335]	± 0.25 [.010]
B	5.60 [.220]	± 0.25 [.010]
C	2.10 [.083]	± 0.25 [.010]
D	2.24 [.088]	± 0.23 [.009]
E	0.58 [.023]	± 0.18 [.007]



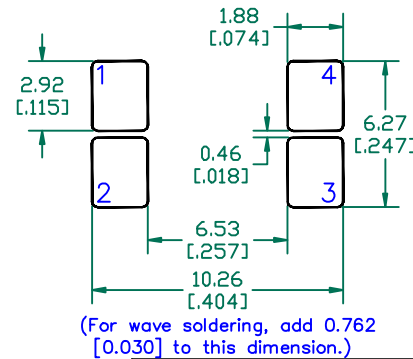
ELECTRICAL CHARACTERISTICS:		
Z @ 100MHz (Ω)	DCR (Ω)	Rated Current
Nominal	61	
Minimum	45	
Maximum	75	7,000 mA

NOTES: UNLESS OTHERWISE SPECIFIED

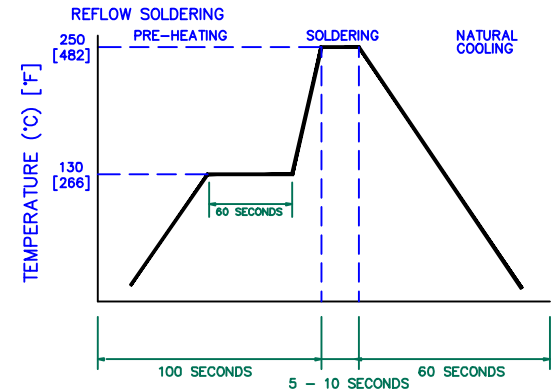
1. TERMINATION FINISH IS 100% TIN.
2. SPECIFICATIONS 13" REELS, 2,500 PCS/REEL.
3. U.S. PATENT 6,288,626 SHOULD APPEAR ON THE LABEL OF EACH REEL OF PACKAGED PARTS.
4. COMPONENTS SHOULD BE ADEQUATELY PREHEATED BEFORE SOLDERING.
5. THIS PART HAS NO PIN POLARITY.
6. 1000Vdc minimum Hi-Pot at 1mA, sampled per lot



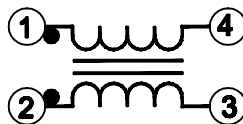
LAND PATTERNS FOR REFLOW SOLDERING



RECOMMENDED SOLDERING CONDITIONS



EQUIVALENT CIRCUIT
NO POLARITY



DIMENSIONS ARE IN mm [INCHES]				This print is the property of Laird Tech. and is loaned in confidence subject to return upon request and with the understanding that no copies shall be made without the written consent of Laird Tech. All rights to design or invention are reserved.
H	ADD EQUIVALENT CIRCUIT	1/28/09	JRK	
G	UPDATE COMPANY LOGO ADD NOTE #6	01/09/09	JRK	
F	UPDATE COMPANY LOGO ADD ROHS	11/26/07	JRK	
E	CHG DCR, IMPEDANCE MIN/MAX AND DCR ADD NOTE 5 AND NUMBERS TO LANDPATTERN	05/11/04	JRK	
D	REVISE ZRX AND OCN CURVE	04/03/03	JRK	
C	REVISE LANDPATTERN DIMS, ADD C,N CURVE	11/25/02	JRK	
B	REVISE PATENT # TO 6,288,626	09/14/01	JRK	
A	ORIGINAL DRAFT	01/12/01	BAC	
REV	DESCRIPTION	DATE	INT	
PROJECT/PART NUMBER: CM3322U610R-10				REV H
DATE: 01/12/01				PART TYPE: CO-FIRE
SCALE: NTS				DRAWN BY: BAC
CAD #				SHEET: 2 of 2
TOOL # N/A				