

CM5022R201R-10



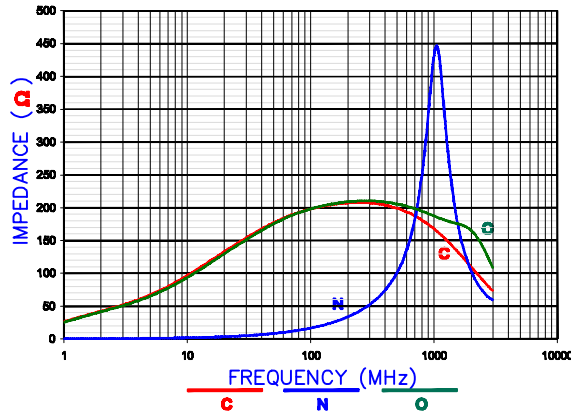
PHYSICAL DIMENSIONS:

A	12.57 [.495]	+ 0.20 [.008]
B	5.72 [.225]	+ 0.10 [.004]
B ₁	6.73 [.265]	MAX
C	9.53 [.375]	+ 0.15 [.006]
C ₁	10.31 [.406]	MAX.
D	2.41 [.095]	+ 0.08 [.003]
E	0.89 [.035]	+ 0.13 [.005]
E ₁	1.91 [.075]	+ 0.13 [.005]

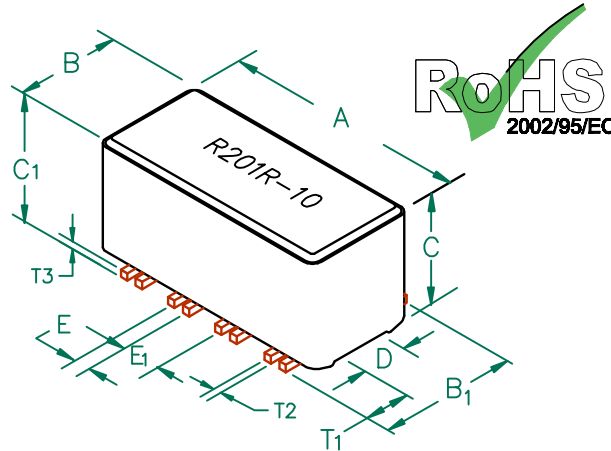
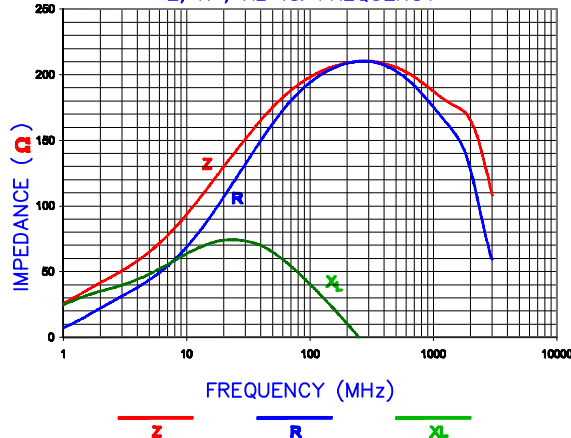
WIRE:

T ₁	1.91 [.075]	+ 0.25 [.010]
T ₂	0.38 [.015]	TYP.
T ₃	0.38 [.015]	TYP.

Z vs. FREQUENCY (C,O,N)



Z, R, XL vs. FREQUENCY



ELECTRICAL CHARACTERISTICS:

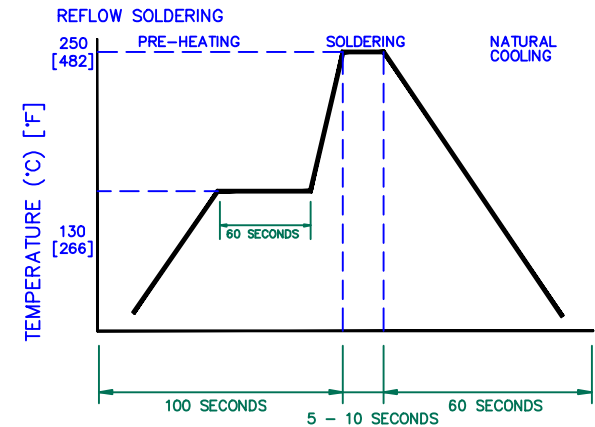
Z @ 100MHz (Ω)	DCR (Ω)	Rated Current
Nominal	200	
Minimum	160	
Maximum	-	0.02
		5,000 mA

NOTES: UNLESS OTHERWISE SPECIFIED

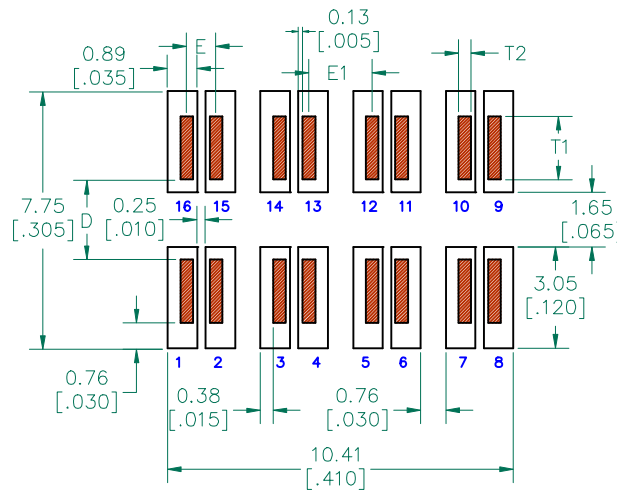
1. TAPED AND REELED per CURRENT EIA SPECIFICATIONS 13" REELS, 375 PCS PER REEL.
2. COMPONENTS SHOULD BE ADEQUATELY PREHEATED BEFORE SOLDERING.
3. REF. CARRIER TAPE SPECIFICATION # CART5022-2P.
4. TERMINATION FINISH IS 100% TIN.
5. THIS PART HAS NO PIN POLARITY.

UNCONTROLLED DOCUMENT

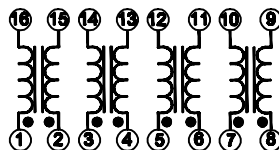
RECOMMENDED SOLDERING CONDITIONS



LAND PATTERNS FOR REFLOW SOLDERING



EQUIVALENT CIRCUIT NO POLARITY



DIMENSIONS ARE IN mm (INCHES).

This print is the property of Laird Tech. and is loaned in confidence subject to return upon request and with the understanding that no copies shall be made without the written consent of Laird Tech. All rights to design or invention are reserved.



PROJECT/PART NUMBER:		REV	PART TYPE:	DRAWN BY:
C	UPDATE COMPANY LOGO ADD EQUIV.CIRC 02/03/09 JRK	C	ASSEMBLY	JRK
B	UPDATE COMPANY LOGO 12/17/07 JRK	SCALE:	NTS	SHEET:
A	ORIGINAL DRAFT 06/03/04 JRK	DATE:	06/03/04	
REV	DESCRIPTION	DATE	INT	CAD #
				CM5022R201R-10-C-2
				TOOL #
				H0495-2