

CM5740Z171B-10

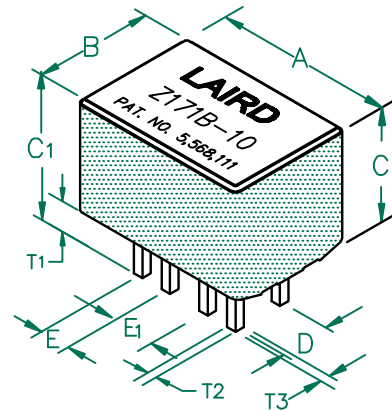
UNCONTROLLED DOCUMENT

PHYSICAL DIMENSIONS:

A	14.48 [.570]	+ 0.23 [.009]
B	10.03 [.395]	+ 0.15 [.006]
C	9.32 [.367]	+ 0.15 [.006]
C ₁	12.90 [.508]	MAX.
D	4.06 [.160]	+ 0.13 [.005]
E	2.54 [.100]	+ 0.13 [.005]
E ₁	3.43 [.135]	+ 0.13 [.005]

WIRE:

T ₁	3.12 [.123]	+ 0.25 [.010]
T ₂	0.76 [.030]	TYP.
T ₃	0.76 [.030]	TYP.

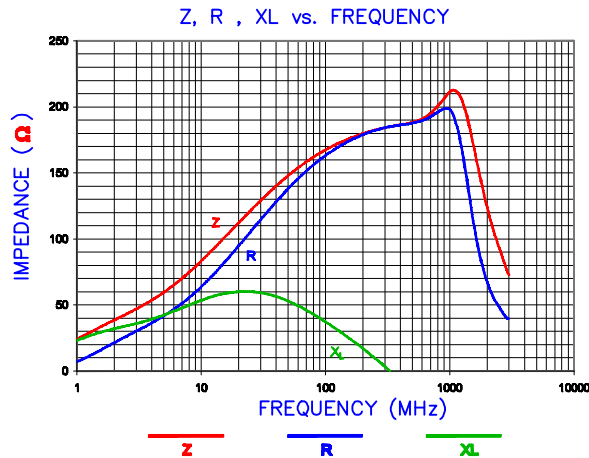
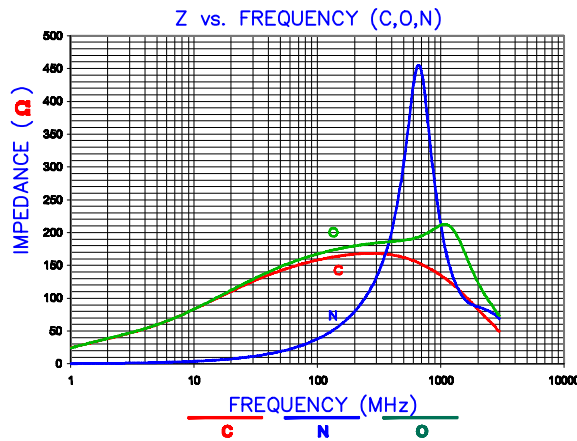


ELECTRICAL CHARACTERISTICS:

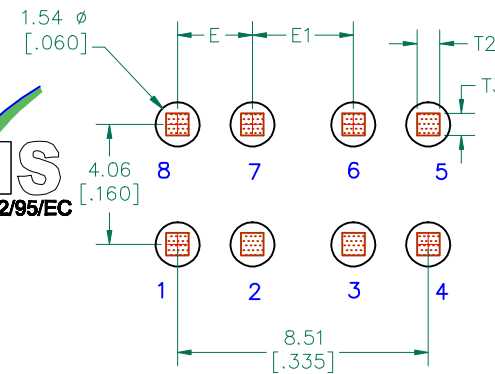
Z @ 100MHz (Ω)	DCR (Ω)	Rated Current
Nominal	170	
Minimum	128	
Maximum	-	0.001 20,000 mA

NOTES: UNLESS OTHERWISE SPECIFIED

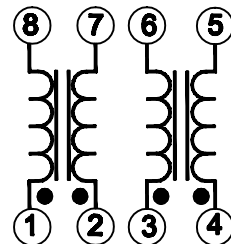
1. BULK PACKAGED, 825 PCS PER CASE.
2. COMPONENTS SHOULD BE ADEQUATELY PREHEATED BEFORE SOLDERING.
3. TERMINATION FINISH IS 100% TIN.
4. THIS PART HAS NO PIN POLARITY.



HOLE PATTERNS FOR WAVE SOLDERING



EQUIVALENT CIRCUIT



DIMENSIONS ARE IN mm (INCHES).				This print is the property of Laird Tech. and is loaned in confidence subject to return upon request and with the understanding that no copies shall be made without the written consent of Laird Tech. All rights to design or invention are reserved.			
				Laird TECHNOLOGIES			
C	UPDATE COMPANY LOGO & KAPTON LABEL ADD EQUIVALENT CIRCUIT	11/13/08	JRK	PROJECT/PART NUMBER: CM5740Z171B-10	REV C	PART TYPE: ASSEMBLY	DRAWN BY: JRK
B	CHG ISO VIEW UPDATE COMPANY LOGO	06/15/07	JRK	DATE: 6/11/04	SCALE: NTS	SHEET: 2 of 3	
A	ORIGINAL DRAFT	6/11/04	JRK	CAD #	TOOL #		
REV	DESCRIPTION	DATE	INT	CM5740Z171B-10-C-2	H0570		