

PHYSICAL DIMENSIONS:

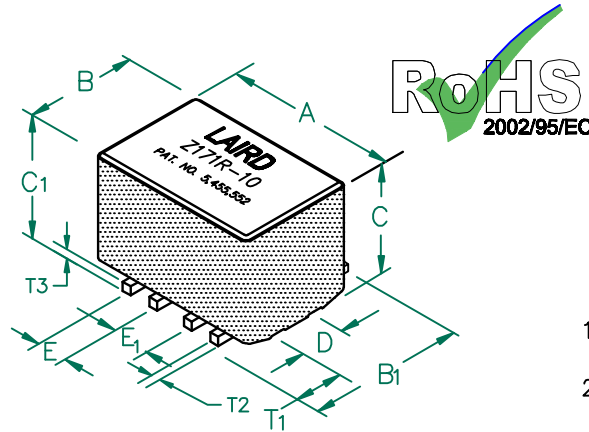
A	14.48 [.570]	± 0.23 [.009]
B	10.03 [.395]	± 0.15 [.006]
B ₁	11.05 [.435]	MAX
C	9.32 [.367]	± 0.15 [.006]
C ₁	10.49 [.413]	MAX.
D	4.06 [.160]	± 0.13 [.005]
E	2.54 [.100]	± 0.13 [.005]
E ₁	3.43 [.135]	± 0.13 [.005]

WIRE:

T ₁	3.56 [.140]	± 0.25 [.010]
T ₂	0.76 [.030]	TYP.
T ₃	0.76 [.030]	TYP.

CM5740Z171R-10

UNCONTROLLED DOCUMENT

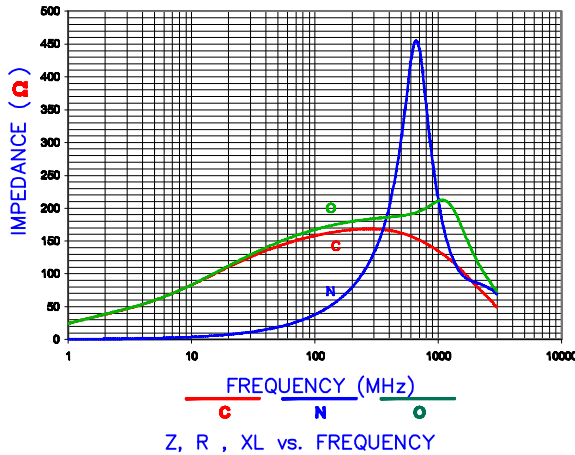


ELECTRICAL CHARACTERISTICS:			
Z @ 100MHz (Ω)	DCR (Ω)	Rated Current	
Nominal	170		
Minimum	128		
Maximum	-	0.001	20,000 mA

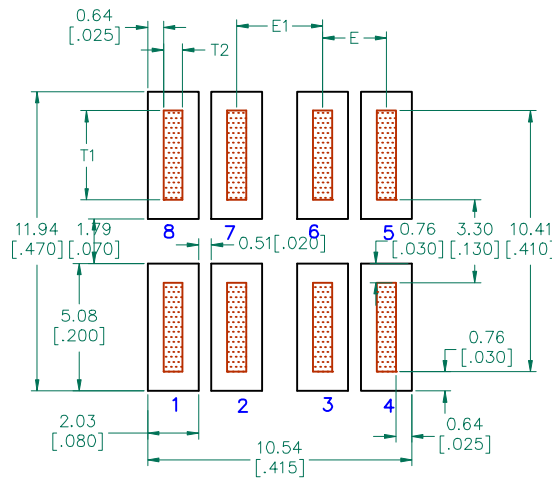
NOTES: UNLESS OTHERWISE SPECIFIED

1. TAPED AND REELED per CURRENT EIA SPECIFICATIONS 13" REELS, 375 PCS/REEL.
2. COMPONENTS SHOULD BE ADEQUATELY PREHEATED BEFORE SOLDERING.
3. REF. CARRIER TAPE SPECIFICATION CART5740-6P.
4. TERMINATION FINISH IS 100% TIN.
5. THIS PART HAS NO PIN POLARITY.

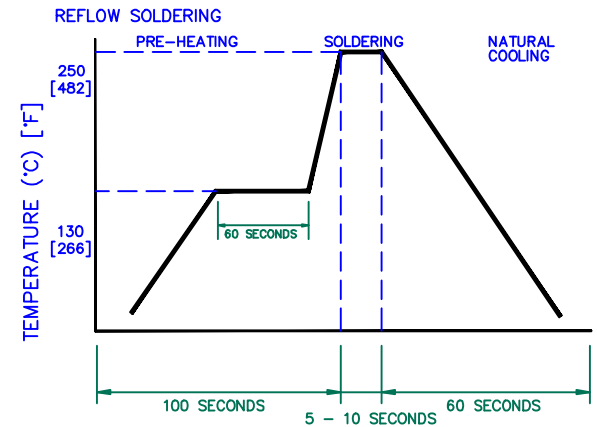
Z vs. FREQUENCY (C,O,N)



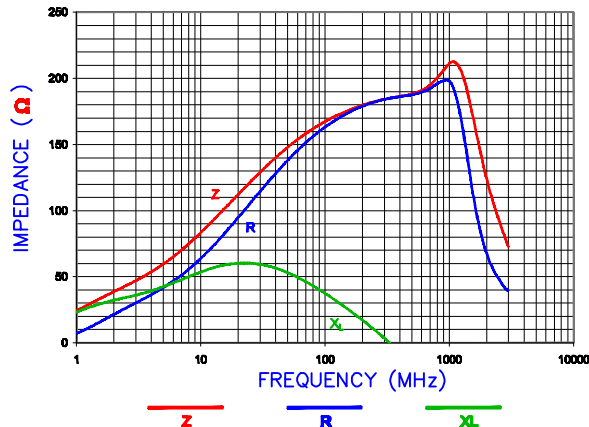
LAND PATTERNS FOR REFLOW SOLDERING



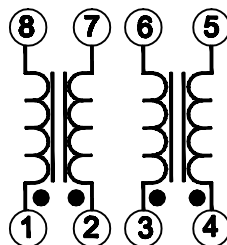
RECOMMENDED SOLDERING CONDITIONS



Z, R, XL vs. FREQUENCY



EQUIVALENT CIRCUIT



DIMENSIONS ARE IN mm (INCHES).				This print is the property of Laird Tech. and is loaned in confidence subject to return upon request and with the understanding that no copies shall be made without the written consent of Laird Tech. All rights to design or invention are reserved.			
C UPDATE COMPANY LOGO AND KAPTON LABEL ADD EQUIV. CIRCUIT				11/13/08	JRK	PROJECT/PART NUMBER: CM5740Z171R-10	REV C
B UPDATE COMPANY LOGO				01/08/08	JRK	DATE: 06/11/04	PART TYPE: ASSEMBLY
A ORIGINAL DRAFT				06/11/04	JRK	CAD #	SCALE: NTS SHEET: 2 of 3
REV DESCRIPTION				DATE	INT	CM5740Z171R-10-C-2	TOOL # H0570

