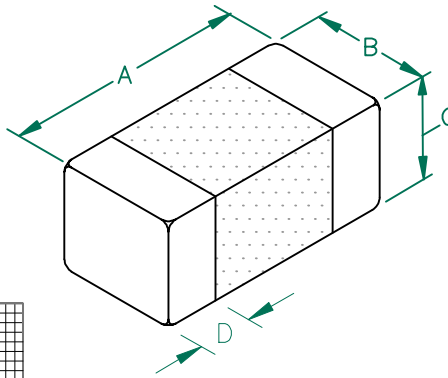


MI0603J601R-10

UNCONTROLLED DOCUMENT

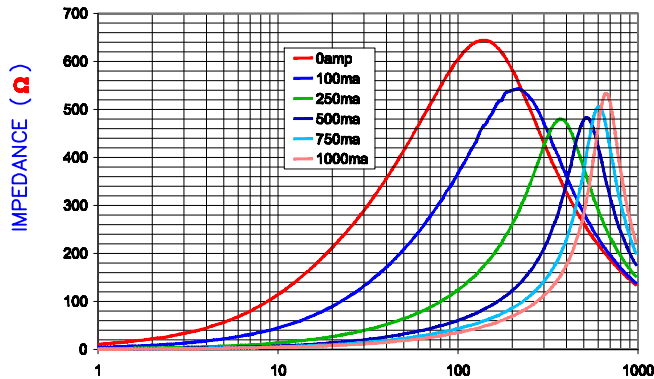
PHYSICAL DIMENSIONS:

A	1.60 [.063]	±	0.15	[.006]
B	0.80 [.031]	±	0.15	[.006]
C	0.80 [.031]	±	0.15	[.006]
D	0.36 [.014]	±	0.15	[.006]



ELECTRICAL CHARACTERISTICS:			
Z @ 100MHz (Ω)	DCR (Ω)	Rated Current	
Nominal	600		
Minimum	450		
Maximum	750	0.20	1000 mA

Z vs FREQUENCY
IMPEDANCE UNDER DC BIAS

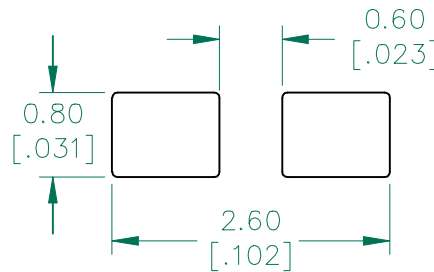


NOTES: UNLESS OTHERWISE SPECIFIED

1. TAPED AND REELED per CURRENT EIA SPECIFICATIONS 7" REELS, 4000 PCS/REEL.
2. TERMINATION FINISH IS 100% TIN.
3. COMPONENTS SHOULD BE ADEQUATELY PREHEATED BEFORE SOLDERING.

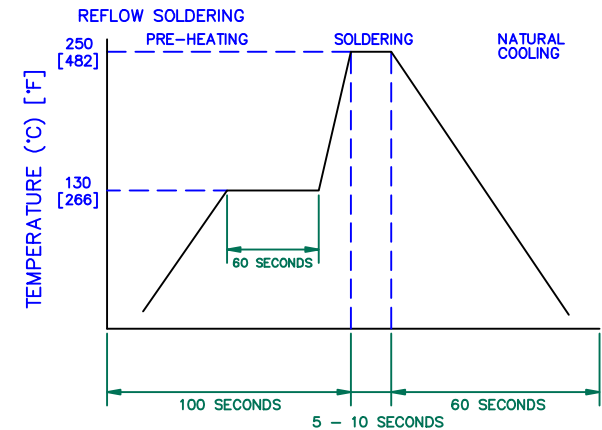
OBSOLETE

LAND PATTERNS FOR REFLOW SOLDERING



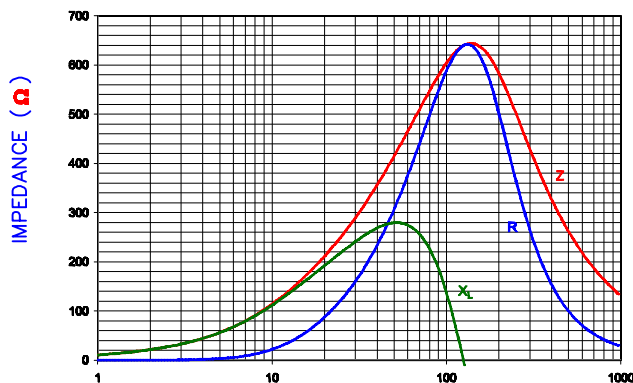
(For wave soldering, add 0.762 [.030] to this dimension)

RECOMMENDED SOLDERING CONDITIONS



FREQUENCY (MHz)

|Z|, R, AND X vs. FREQUENCY



FREQUENCY (MHz)



DIMENSIONS ARE IN mm [INCHES].				THIS DOCUMENT CONTAINS INFORMATION WHICH IS PROPRIETARY AND CONFIDENTIAL TO STEWARD. NO PRODUCTION OR PUBLICATION OF THIS DOCUMENT IN WHOLE OR IN PART SHALL BE MADE WITHOUT WRITTEN AUTHORIZATION FROM STEWARD.			
				Steward			
				PROJECT/PART NUMBER:	REV	PART TYPE:	DRAWN BY:
				MI0603J601R-10	A	CO-FIRE	TMB
				DATE:	SCALE:	SHEET:	
				04/05/04	-	2 of 2	
REV	DESCRIPTION	DATE	INT	GAD #	TOOL #		
A	ORIGINAL DRAFT	04/05/04	TMB	MI0603J601R-10-A	-		